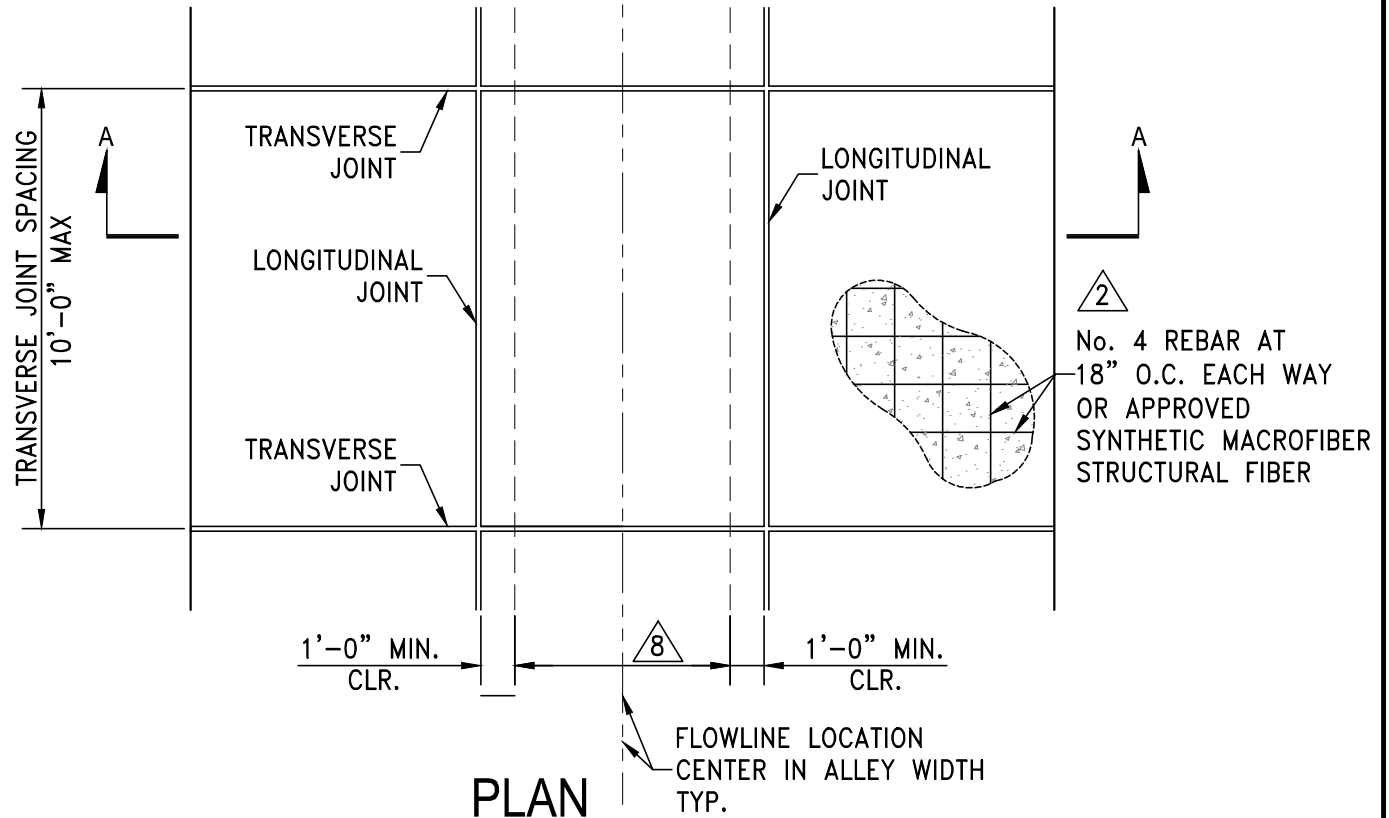
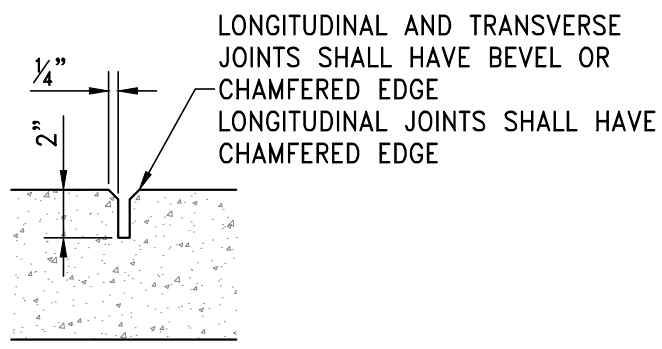


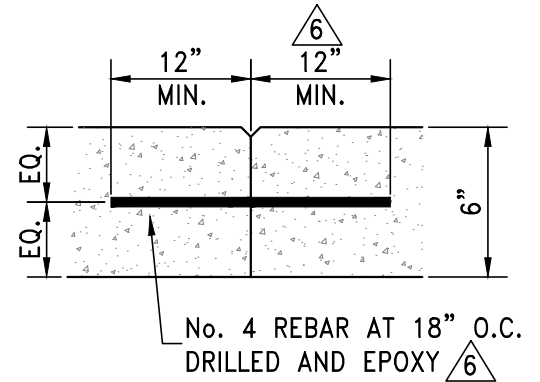
SECTION A-A



PLAN



DETAIL A (CONTROL JOINT)



DETAIL B (CONSTRUCTION JOINT)



STANDARD DETAILS FOR PUBLIC WORKS CONSTRUCTION

DRAWING No.

P.C.C. ALLEY

R-116A

APPROVED BY:KK | DATE: 2/2026